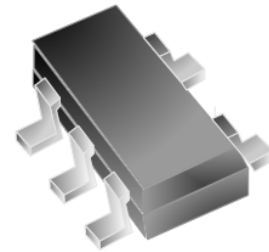




FEATURES

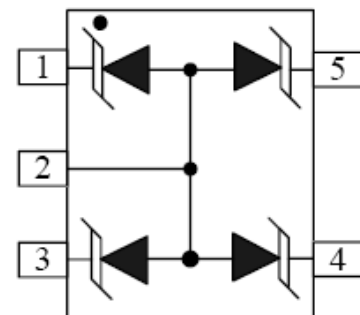
- ◇ 100 Watts peak pulse power per line ($t_P=8/20\mu s$)
- ◇ Low leakage current
- ◇ Low operating voltage
- ◇ Working voltage:5V
- ◇ RoHS compliant



SOT-353

MAIN APPLICATIONS

- ◇ Cellular handsets & accessories
- ◇ Personal digital assistants(PDAs)
- ◇ Notebook & handhelds
- ◇ Portable instrumentation
- ◇ Digital cameras
- ◇ MP3 player



Top-view

PROTECTION SOLUTION TO MEET

- ◇ IEC61000-4-2 (ESD) $\pm 25kV$ (air), $\pm 25kV$ (contact)
- ◇ IEC61000-4-4 (EFT) 40A (5/50ns)
- ◇ IEC61000-4-5 (Lightning) 8A (8/20 μs)

MECHANICAL CHARACTERISTICS

- ◇ JEDEC SOT-353 package
- ◇ Molding compound flammability rating : UL 94V-0
- ◇ Quantity per reel : 3, 000pcs
- ◇ Lead finish :lead free
- ◇ Marking code: 05F

ABSOLUTE MAXIMUM RATINGS ($T_A=25^{\circ}\text{C}$, RH=45%-75%, unless otherwise noted)

Parameter	Symbol	Value	Unit
Peak pulse power dissipation at 8/20 μs waveform	P_{PP}	100	W
ESD per IEC 61000-4-2 (Air) ESD per IEC 61000-4-2 (Contact)	V_{ESD}	+/- 25 +/- 25	kV
Lead soldering temperature	T_L	260 (10 sec.)	$^{\circ}\text{C}$
Operating junction temperature range	T_J	-55 to +125	$^{\circ}\text{C}$
Storage temperature range	T_{STG}	-55 to +150	$^{\circ}\text{C}$

ELECTRICAL CHARACTERISTICS ($T_A=25^{\circ}\text{C}$)

Parameter	Symbol	Conditions	Min	Typ	Max	Unit
Reverse working voltage	V_{RWM}				5.0	V
Reverse breakdown voltage	V_{BR}	$I_T=1\text{mA}$	6.0			V
Reverse leakage current	I_R	$V_R=5\text{V}$			1	μA
Clamping voltage (I/O pin to Ground)	V_C	$I_{PP}=1\text{A}$, $t_P=8/20\mu\text{s}$			9.6	V
		$I_{PP}=8\text{A}$, $t_P=8/20\mu\text{s}$		11	15	V
Junction capacitance	C_J	$V_R=0\text{V}$, $f=1\text{MHz}$ Any I/O pin to ground		70	85	pF

RATINGS AND V-I CHARACTERISTICS CURVES ($T_A=25^{\circ}\text{C}$, unless otherwise noted)

FIG.1: V- I curve characteristics (Uni-directional)

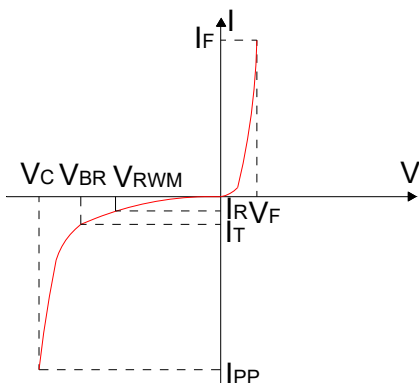


FIG.2: Pulse waveform (8/20 μs)

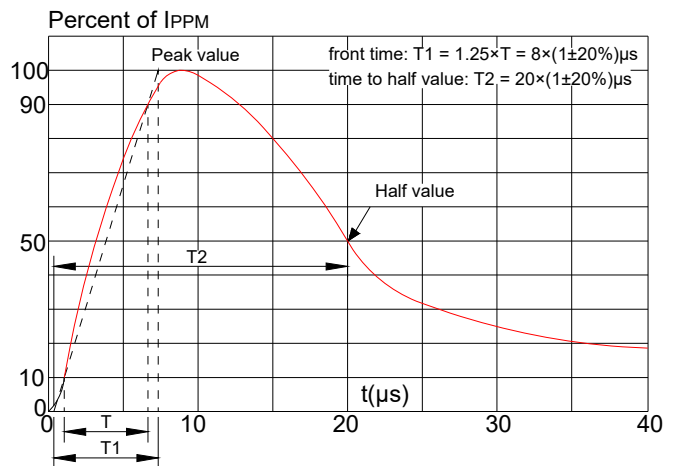


FIG.3: Pulse derating curve

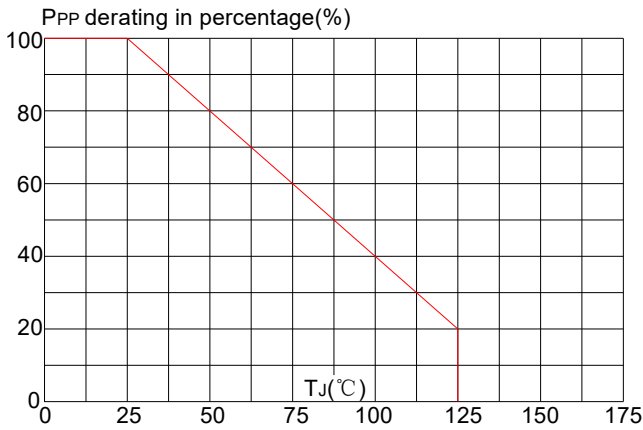
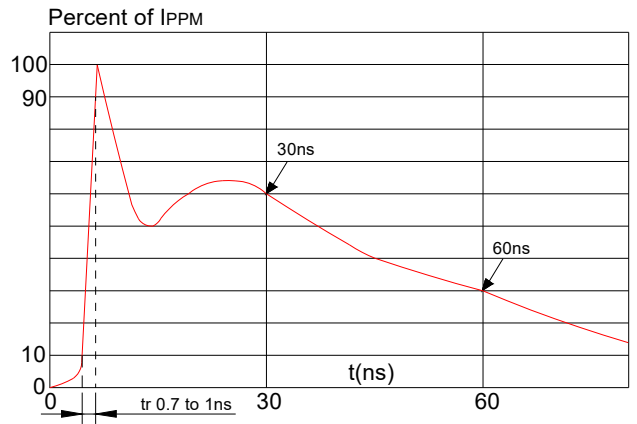
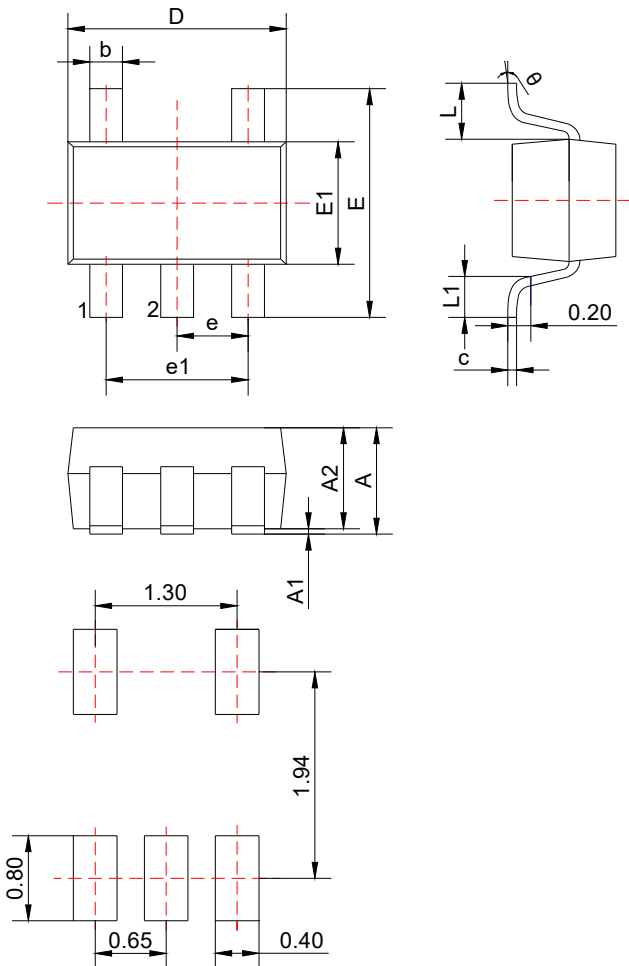


FIG.4: ESD clamping (25kV contact)



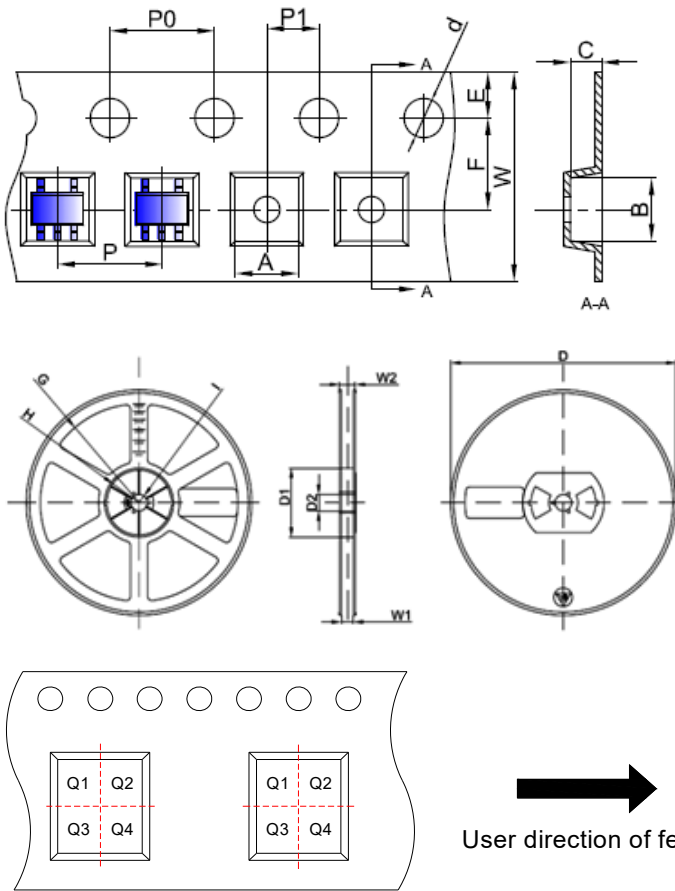
PACKAGE MECHANICAL DATA



Recommended Land Pattern(mm)

Symbol	Dimensions			
	Millimeters		Inches	
	Min.	Min.	Min.	Max.
A	0.90	1.10	0.035	0.043
A1	0.00	0.10	0.000	0.004
A2	0.90	1.00	0.035	0.039
b	0.15	0.35	0.006	0.014
c	0.08	0.15	0.003	0.006
D	2.00	2.25	0.079	0.089
E1	1.15	1.35	0.045	0.053
E	2.15	2.45	0.085	0.096
e	0.65TYP		0.026TYP	
e1	1.20	1.40	0.047	0.055
L	0.525REF		0.021REF	
L1	0.26	0.46	0.010	0.018
θ	0°	8°	0°	8°

TAPE AND REEL SPECIFICATION-SOT-353



Pin 1 quadrant: Q3

Packaging description:

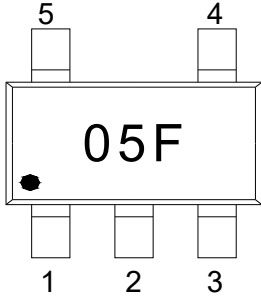
SOT-353 parts are shipped in tape. The carrier tape is made from a dissipative(carbon filled) polycarbonate resin. The cover tape is a multilayer film(heat activated adhesive in nature)primarily composed of polyester film, adhesive layer, sealant, and anti-static sprayed agent. These reeled parts in standard option are shipped with 3,000 units per 7" or 17.8cm diameter reel. The reels are clear in color and made of polystyrene plastic(anti-static coated).

Symbol	Millimeters	Inches
A	2.25±0.1	0.089±0.004
B	2.55±0.1	0.100±0.004
C	1.20±0.1	0.047±0.004
d	Φ1.50 ^{+0.1} _{-0.0}	Φ0.059 ^{+0.004} _{-0.000}
E	1.75±0.1	0.069±0.004
F	3.50±0.05	0.138±0.002
P0	4.00±0.1	0.157±0.004
P	4.00±0.1	0.157±0.004
P1	2.00±0.05	0.079±0.002
W	8.00 ^{+0.3} _{-0.1}	0.315 ^{+0.012} _{-0.004}
D	Φ178±1	7.008±0.039
D1	54.40±0.4	2.142±0.016
D2	13.00±0.2	0.512±0.008
G	R78.0±0.25	3.071±0.010
H	R25.6±0.25	1.008±0.010
I	R6.50±0.2	0.256±0.008
W1	9.50±1	0.374±0.039
W2	12.30±1	0.484±0.039

ORDERING INFORMATION

PART No.	PACKAGE TYPE	QUANTITY(PCS) REEL	DESCRIPTION
JEU05MF	SOT-353	3,000	7 inch reel pack

MARKING CODE

Part Number	Marking Code
JEU05MF	


JieJie products are not designed for, and shall not be used for, any purpose (including, without limitation, automotive, military, aerospace, medical, life-saving, life-sustaining or nuclear facility applications, devices intended for surgical implant into the body, or any other application in which the failure or lack of desired operation of the product may result in personal injury, death, or property damage) other than those expressly set forth in applicable JieJie product documentation. Warranties granted by JieJie shall be deemed void for products used for any purpose not expressly set forth in applicable JieJie documentation. JieJie shall not be liable for any claims or damages arising out of products used in applications not expressly intended by JieJie as set forth in applicable JieJie documentation. The sale and use of JieJie products is subject to JieJie terms and conditions of sale, unless otherwise agreed by JieJie.

Information furnished in this document is believed to be accurate and reliable. However, Jiangsu JieJie Microelectronics Co., Ltd. assumes no responsibility for the consequences of use without consideration for such information nor use beyond it.

Information mentioned in this document is subject to change without notice, apart from that when an agreement is signed, Jiangsu JieJie complies with the agreement.

Products and information provided in this document have no infringement of patents. Jiangsu JieJie assumes no responsibility for any infringement of other rights of third parties which may result from the use of such products and information.

This document is the fourth version which is made in 26-July-2024. This document supersedes and replaces all information previously supplied.

 is a registered trademark of Jiangsu JieJie Microelectronics Co., Ltd.

Copyright ©2024 Jiangsu JieJie Microelectronics Co., Ltd. Printed All rights reserved.