



ABS22~ABS210

GLASS PASSIVATED BRIDGE RECTIFIERS

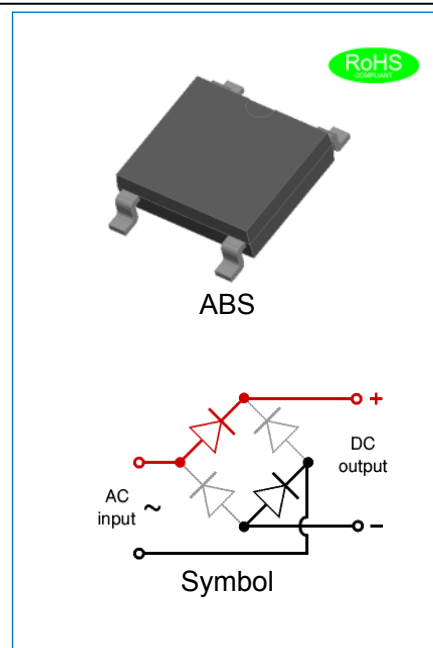
Rev.4.4

DESCRIPTION

- ◇ Plastic package has underwriters laboratory flammability classification 94V-0
- ◇ Glass passivated chip junction
- ◇ Lead free in comply with EU RoHS 2011/65/EU directives
- ◇ Ideal for printed circuit board
- ◇ High surge forward current capability
- ◇ General purpose use in AC/DC bridge full wave rectification for SMPS, lighting ballast, adapter, etc.

MECHANICAL DATA

- ◇ Case: ABS molded plastic
- ◇ Terminals: Solder plated, solderable per J-STD-002
- ◇ Polarity: Polarity symbol marking on body.
- ◇ Weight:0.094gram



ABSOLUTE MAXIMUM RATING AND ELECTRICAL CHARACTERISTICS

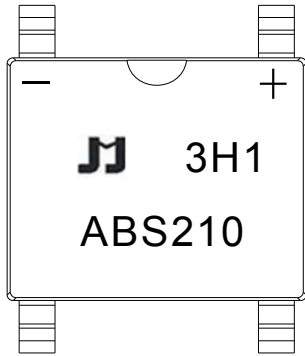
(Rating at 25°C ambient temperature unless otherwise specified.)

Parameter	Symbol	ABS22	ABS24	ABS26	ABS28	ABS210	Unit
Maximum repetitive peak reverse voltage	V_{RRM}	200	400	600	800	1000	V
Maximum RMS voltage	V_{RMS}	140	280	420	560	700	V
Maximum DC blocking voltage	V_{DC}	200	400	600	800	1000	V
Average rectified output current at $T_A=40^\circ\text{C}$	I_O	2.0					A
Peak forward surge current: 8.3ms single half sine-wave superimposed on rated load (JEDEC method)	I_{FSM}	60					A
I^2t rating for fusing ($t_p=8.3\text{ms}$)	I^2t	14.9					A^2s
Maximum forward voltage per diode @ $I_F=2.0\text{A}$	V_F	1.1					V
Maximum DC reverse current at rated DC blocking voltage	$T_j=25^\circ\text{C}$	I_R	5.0				μA
	$T_j=125^\circ\text{C}$		100				μA
Operating junction and storage temperature range	T_j, T_{stg}	-55 to +150					$^\circ\text{C}$

THERMAL RESISTANCES

Symbol	Parameter	ABS22	ABS24	ABS26	ABS28	ABS210	Unit
$R_{th(j-a)}$	Junction to ambient	60					$^{\circ}C/W$
$R_{th(j-c)}$	Junction to case	16					$^{\circ}C/W$

MARKING



ABS	Package: ABS
2	Io: 2A
10	V_{RRM} :1000V

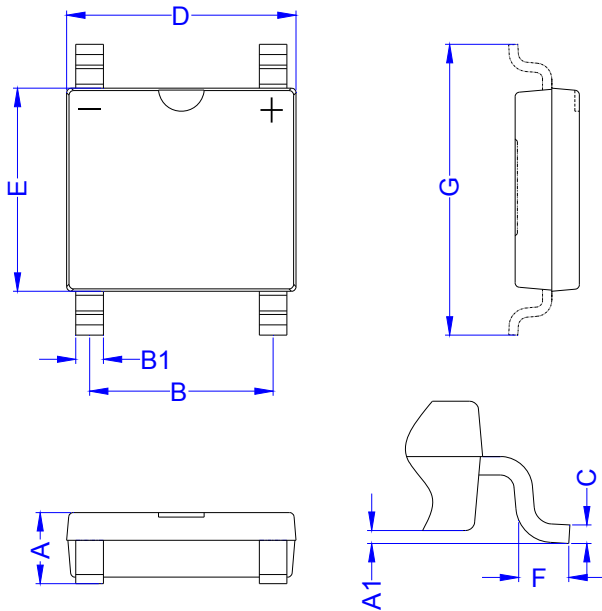
$\underline{x}H1$: Month, 1、2、3 ~ 9、A、B、C

$3\underline{x}1$:

2018	2019	2020	2021	2022	2023	2024
H	I	J	K	L	M	N
2025	2026	2027	2028	2029	2030	...
O	P	Q	R	S	T	...

$3H\underline{x}$: Batch number

PACKAGE MECHANICAL DATA



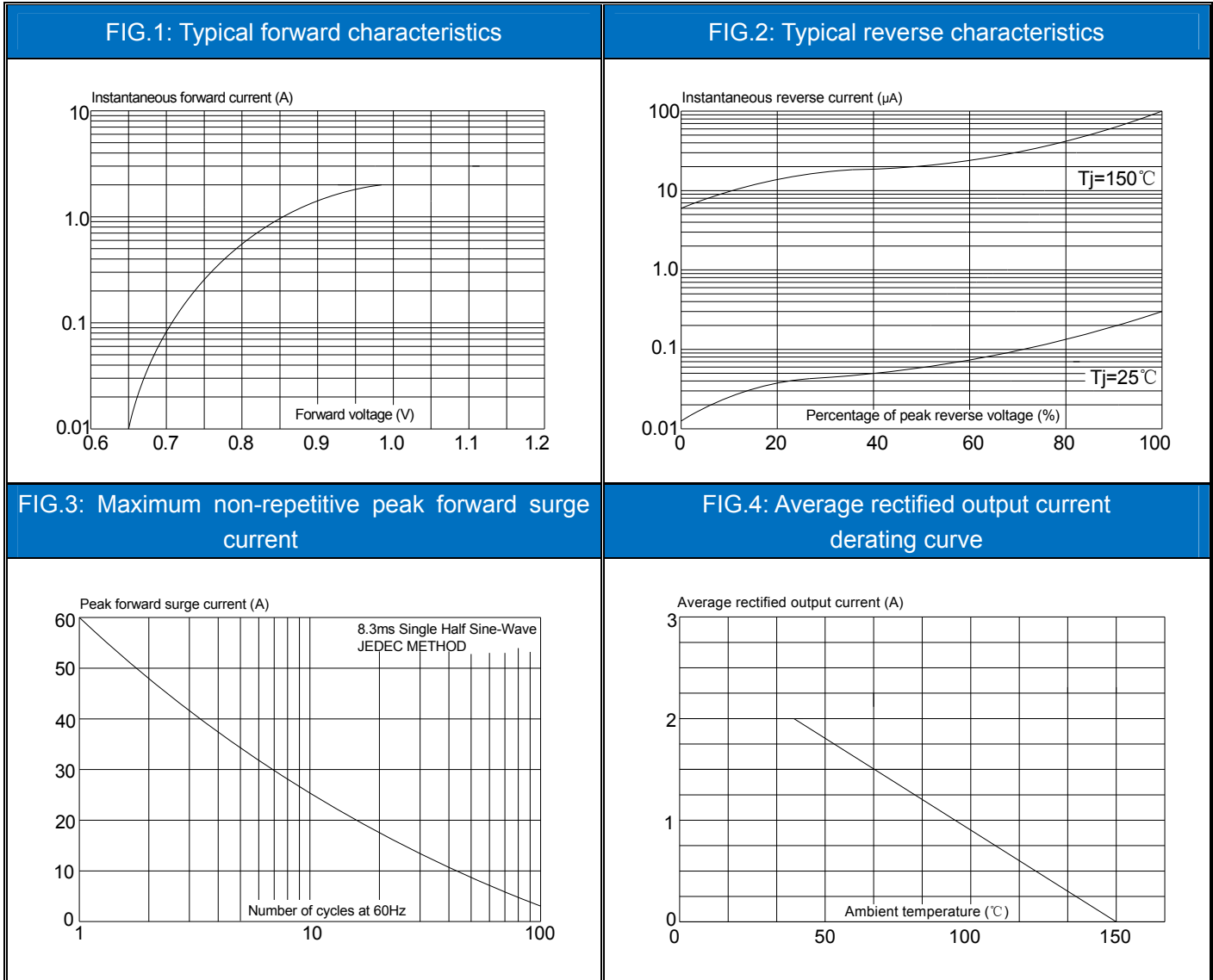
ABS

Ref.	Dimensions			
	Millimeters		Inches	
	Min.	Max.	Min.	Max.
A	1.3	1.5	0.051	0.059
A1	0.02	0.25	0.001	0.010
B	3.9	4.1	0.154	0.161
B1	0.5	0.7	0.020	0.028
C	0.15	0.25	0.006	0.010
D	4.8	5.2	0.189	0.205
E	4.2	4.6	0.165	0.181
F	0.25	0.85	0.010	0.033
G	6.0	6.5	0.236	0.256

PACKAGE INFORMATION-ABS

OUTLINE	UNIT WEIGHT (g/PCS) typ.	REEL (PCS)	PER CARTON (PCS)
TAPING	0.094	3,000	48,000

CHARACTERISTICS CURVE



Information furnished in this document is believed to be accurate and reliable. However, Jiangsu JieJie Microelectronics Co.,Ltd assumes no responsibility for the consequences of use without consideration for such information nor use beyond it.

Information mentioned in this document is subject to change without notice, apart from that when an agreement is signed, Jiangsu JieJie complies with the agreement.

Products and information provided in this document have no infringement of patents. Jiangsu JieJie assumes no responsibility for any infringement of other rights of third parties which may result from the use of such products and information.

This document is the 4.4th version which is made in 12-July-2021. This document supersedes and replaces all information previously supplied.

 is a registered trademark of Jiangsu JieJie Microelectronics Co.,Ltd.

Copyright ©2021 Jiangsu JieJie Microelectronics Co.,Ltd. Printed All rights reserved.